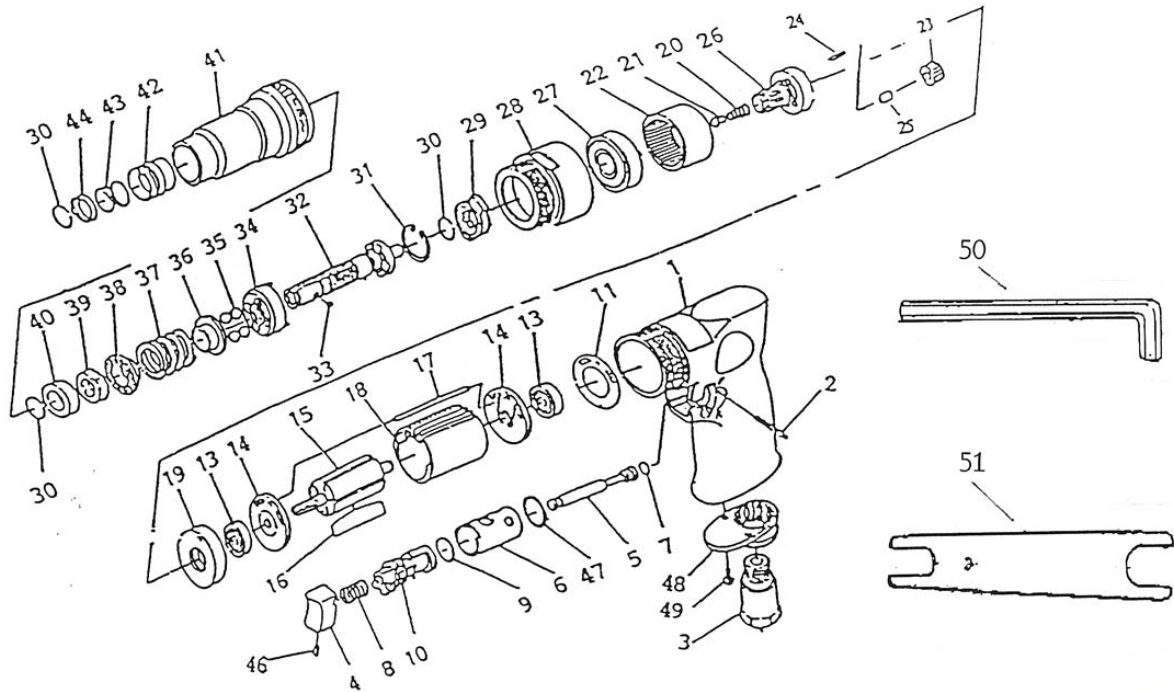


# GP-0907

[www.air-allied.com.au](http://www.air-allied.com.au)

# AIR SCREWDRIVER



<u>PARTS NO.</u>	<u>DESCRIPTION</u>	<u>PARTS NO.</u>	<u>DESCRIPTION</u>
01.	HOUSING	28.	CLAMP NUT
02.	PIN	29.	DRIVE DOG
03.	AIR INLET	30.	RETAINING RING (3)
04.	TRIGGER	31.	RETAINING RING
05.	VALVE STEM	32.	CAM SPINDLE
06.	REVERSE BUSHING	33.	STEEL BALL
07.	O-RING	34.	CLUTCH CARRIER
08.	VALVE SPRING	35.	STEEL BALL (4)
09.	O-RING	36.	WASHER
10.	REVERSE LEVER	37.	SPRING
11.	MOTOR GASKET	38.	WASHER
13.	BALL BEARING (2)	39.	ADJUST NUT
14.	END PLATE (2)	40.	SPACER
15.	ROTOR	41.	CLUTCH HOUSING
16.	ROTOR BLADE (5)	42.	BALL RETAINER
17.	PIN	43.	SPRING
18.	CYLINDER	44.	WASHER
19.	SPACER	46.	SET SCREW
20.	SPRING	47.	O-RING
21.	SPRING GUIDE	48.	EXHAUST DEFFUSER
22.	INTERNAL GEAR	49.	SCREW (2)
23.	PLANET GEAR (3)	50.	1/4" ALLEN KEY
24.	PIN (3)	51.	SPANNER
25.	BUSHING (3)	K1.	#26+#24
26.	WORK SPINDLE	K2.	#23+#25 (each 1pc)
27.	BALL BEARING		